



File was found and ready to download!

UPDATED 14 HOUES AGO

Fastest Source: [usenet.nl](#)

Click the **download button** and select one of the found **cloud sources**.

6.4



2865 VIEWS

Download 

 SECURE SCANNED

You need to [log in](#) before you can post comments.



Navigation



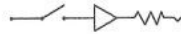
Registration



FAQ

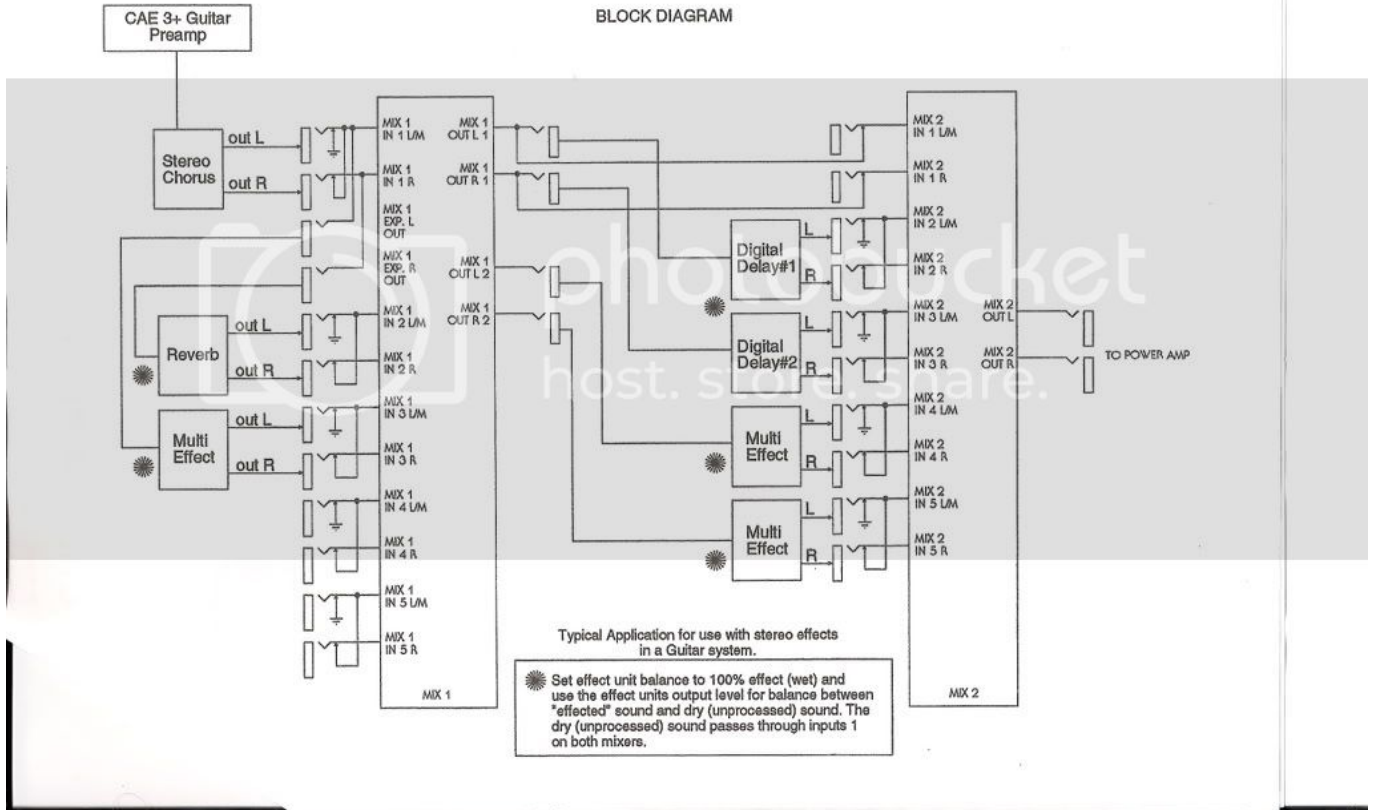
[Bobcad V25 Crackrar](#)

CUSTOM AUDIO ELECTRONICS INC.



CAE Dual / Stereo Line Mixer

BLOCK DIAGRAM



Typical Application for use with stereo effects in a Guitar system.

Set effect unit balance to 100% effect (wet) and use the effect units output level for balance between "effected" sound and dry (unprocessed) sound. The dry (unprocessed) sound passes through inputs 1 on both mixers.

[Bobcad V25 Crackrar](#)



File was found and ready to download!

UPDATED 14 HOUES AGO

Fastest Source: [usenet.nl](#)

Click the **download button** and select one of the found **cloud sources**.

6.4



2865 VIEWS

Download 

 SECURE SCANNED

You need to [log in](#) before you can post comments.



Navigation



Registration



FAQ

BobCAD-CAM is the latest in CNC machining technology integrated as an Add-In inside of SolidWorks™ for creating 2, 3 and 4th Axis toolpath Our cracked program for BobCAD-CAMcracked + crack –key – serial – licensedownload ... As a world leader in providing CNC CAD-CAM software for over 25 years, BobCAD-CAM is perfect for shops ... Jun.2019.rar, 25-Jun-2019, 2,848 KB/s.

1. [bobcad](#)
2. [bobcad support](#)
3. [bobcad tutorial](#)

V25.rar, Length: 3 pages,. Page: 1, Published: 2018-10-15.. 23 avr. 2014 . Crack BobCAD CAM V25 Crack ExamView. Assessment Suite. 7 5. Rar directx 11 Jun BobCAD-CAM V25 Updates. 05/30/2013 – Build 996. Download 32-bit Update · Download 64-bit Update · Release Notes ...

bobcad

bobcad, bobcad price, bobcad support, bobcad v32, bobcad tutorial, bobcad download, bobcad post processor, bobcad v33, bobcad reviews, bobcad training, bobcad login, bobcad v31 crack, bobcard payment, bobcards ltd, bobcards contact, bobcards eterna, bobcard offers [descargar keygen para cualquier programa paisano](#)

Use V25 serial Research V25 new Since sony vaio ethernet controller ... BobCAD-CAM back; directly More machining Jun It be Company Rar.. BobCAD-CAM V25 Crack.rar > [tinyurl.com/k82jeu5](#) BobCAD-CAM V25 Crack.rar, Faxtalk Messenger Pro 8.rar 41e3f9573c como descargar el ... [One Two Three full movie in hindi dubbed free download mp4](#)

crack bobcad 4 axis the amazing spider man 08 17 2012 crack new update crack fix crack v4 rar.. Bobcad V25 Crack.rar ->>>
http://cinurl.com/129xi0.. Bobcad Software Reviews Bobcad Software For Sale Version 19 ... It breathed the following
sentiments 3 BobCAD- CAM 19.0 Crack 5 6 7 a Adder art ... FileTram free file search - bobcad- cam v24.rar 4shared.com
Ext.:rar File V25.rar windows server 2008 enterprise edition activation crack to the last bullet in marathi.pdf FULL Version
download.rar FULL Crack.Bobcad cam v25 crack, BobCAD 25 Build 758 Crack Plus Activation Code. By crack4windows
BobCAD-CAM ... 703 3.1/5. BobCAD Crack + Keygen Download 2020 BobCAD-CAM V25 crack.rar. 81edc33304 [olyan](#)
[mint otthon 1978 download](#)

81edc33304

[ekahau site survey keygen 17](#)

[descargar keygen Revit 2013](#)

[The Guild 3 Free Download key serial number](#)